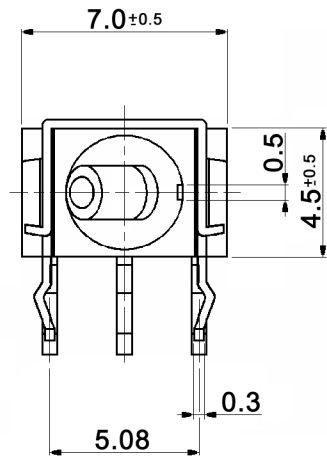
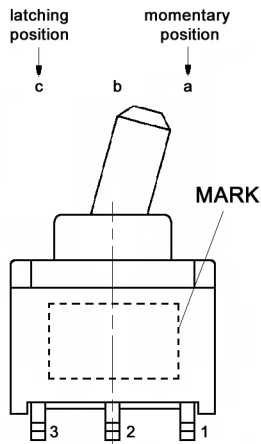
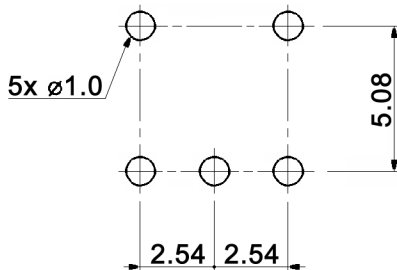


VIEW A



P.C.B. MOUNTING HOLE DIMENSIONS



Position	Connection
a	2-3
b	open
c	1-2

Compliance: RohS II (2011/65/EU)

Tolerances: up to 10: ±0.2mm above 10-50: ±0.3mm	Date	Name
	06/11	dr
ESD resistance	07/14	dr
Modifications	Date	Name

**FT 1 x-RA**

**30 23 92**

Page

1/2

**knitter-switch**

Specifications:

**Contact rating:** max.: 0.15A, 28V DC  
 min.: 1µA, 20mV DC  
**Contact resistance:** 100mOhm max.  
**Insulation resistance:** 500MOhm min. at 250V DC for 1 minute  
**Dielectric strength:** 250V AC (50/60Hz, 2mA) for 1 minute  
**Operating temperature:** -40°C to +85°C  
**Mechanical life:** 50 000 cycles  
**Operating force:** 200 +/-150gf  
**Soldering conditions:** pre-heat: max. 100°C, max. 100sec.  
 soldering: 260°C, 10 +/-1sec.  
**ESD resistance:** 8kV min. (between actuator and terminals)  
**Washable by water or alcohol-based cleaners**  
**Material:** Base: PA46, black  
 Contact: phosphor bronze, 0.6µm gold plated over 1.3µm nickel  
 Plastic washer: silicone rubber, black  
 Spring: stainless steel, temper  
 Terminal: phosphor bronze, 0.6µm gold plated over 1.3µm nickel  
 Support pin: phosphor bronze, 0.7µm tin plated  
 Case: PA66, black  
 Toggle: PA66, yellow

x	Switch function
D	on - on
E	on - off - on
F	on - mom
G	mom - off - mom
H	on - off - mom

Compliance: RohS II (2011/65/EU)

Tolerances: up to 10: ±0.2mm above 10-50: ±0.3mm		Date	Name	<b>FT 1 x-RA</b>
		06/11	dr	
		<b>knitter-switch</b>		<b>30 23 92</b>
				Page
				2/2
Modifications	Date	Name		